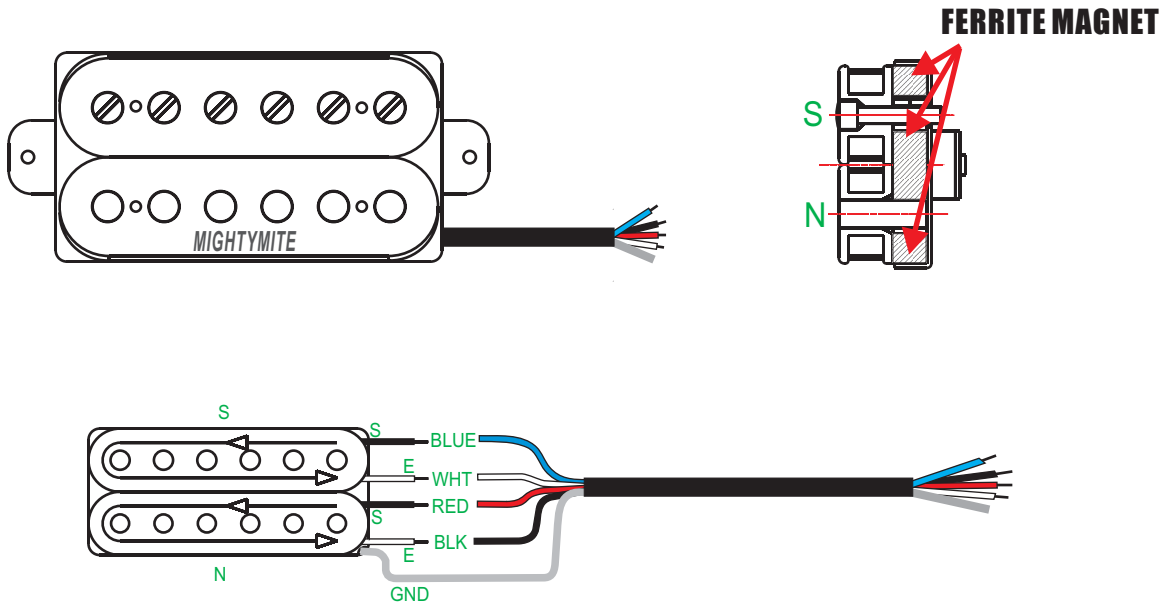


MIGHTYMITE PICKUP WIRING

BKHB-F



RESISTANCE : 11.7Kohm
INDUCTANCE : 5.5H

Wiring:
Bare+White is GRND, Red+Blue to Coil tap, Black is Hot output.

